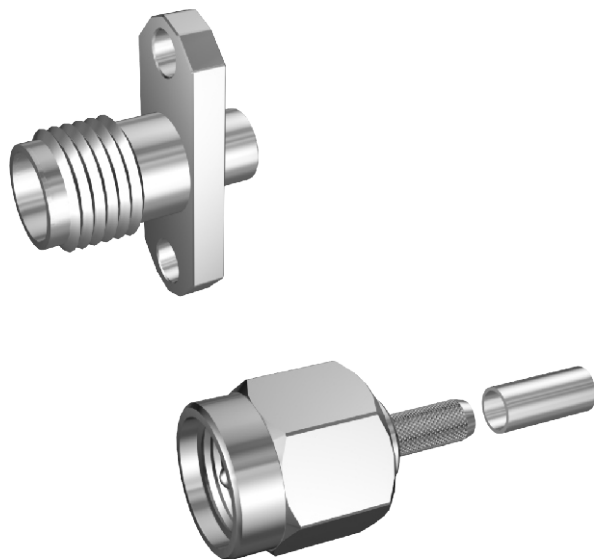


SSMA

系列射频同轴连接器
SERIES SSMA RF.COAXIAL CONNECTORS



[SSMA射频同轴连接器具有体积小、机械电气性能优越、可靠性高等优点，是近年来通讯行业选用的射频连接器。]

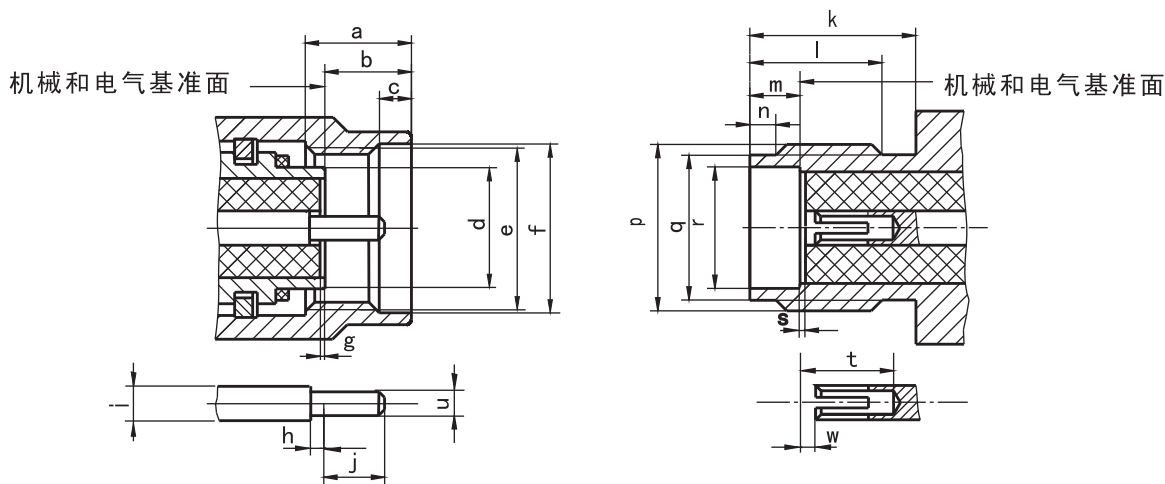
Series SSMA RF Coaxial connectors have the advantages of small,super mechanical and electrical performances,high rebility,etc. They products are widely used in the field of communication .

SSMA

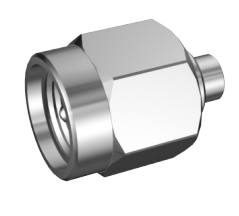
系列射频同轴连接器
SERIES SSMA RF. COAXIAL CONNECTORS

主要技术特性		KEY PERFORMANCE	
温度范围 Temperature range	-55 ~ +155°C	绝缘电阻 Insulation resistance	≥1000MΩ
特性阻抗 Characteristic Impedance	50Ω	介质耐压 Dielectric Withstanding voltage	750V
频率范围 Frequency range	0~30GHz	接触电阻 Contact resistance	中心导体 Center conductor
			外导体 Outer conductor
电压驻波比 VSWR	≤1.07+0.01f	寿命 Durability	500 Cycles

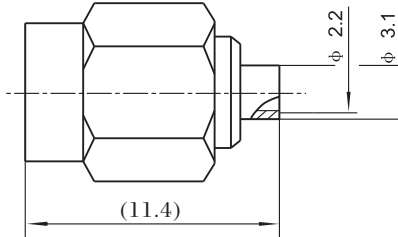
头部配合尺寸 INTERFACE MATING DIMENSIONS




Symbol	MIN(mm)	MAX(mm)	Symbol	MIN(mm)	MAX(mm)	Symbol	MIN(mm)	MAX(mm)
a	2.54	3.43	h	0.00	0.25	p	10-36UNS-2A	
b	2.54	3.38	i	Φ0.85	Φ0.88	q	Φ3.89	Φ4.06
c	0.38	1.14	j	1.27	1.65	r	Φ3.23	Φ3.3
d	Φ3.15	Φ3.22	k	5.84	—	s	0.00	0.25
e	10-36UNS-2B		l	4.83	5.33	t	1.91	—
f	Φ4.98	Φ5.13	m	1.91	1.96	u	Φ0.49	Φ0.52
g	0.00	0.25	n	0.51	1.02	w	0.00	0.25

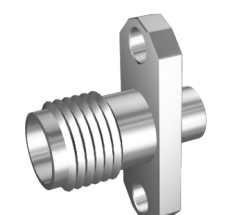


SSMA-JB2

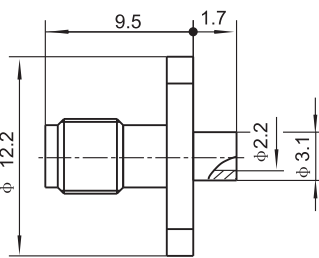


电缆剥线尺寸
Cable stripping dimensions

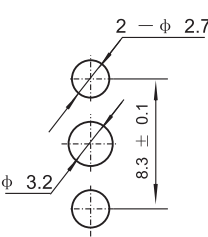




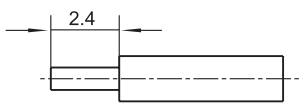
SSMA-KFB2



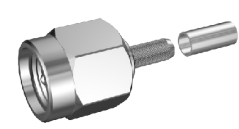
安装开孔尺寸
Mounting hole



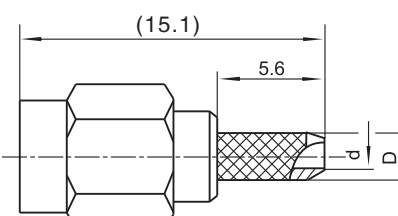
电缆剥线尺寸
Cable stripping dimensions



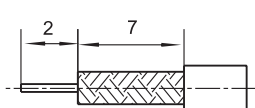
Type	Cable type
SSMA-KFB2	SFT-50-2-1



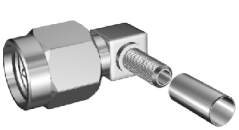
SSMA-J2 等



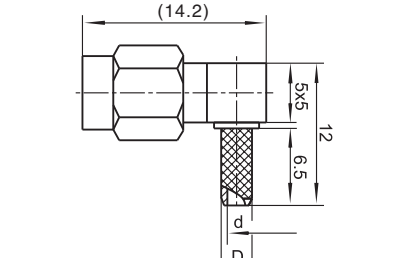
电缆剥线尺寸
Cable stripping dimensions



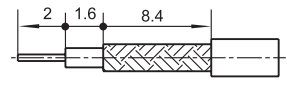
Type	d	D	Cable type
SSMA-J2	φ 1	φ 2	SYV-50-1、SFF-50-1
SSMA-J3	φ 1.6	φ 2.6	SYV-50-2-1、SFF-50-1.5-1



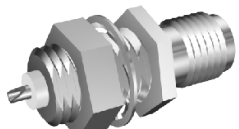
SSMA-JW3 等



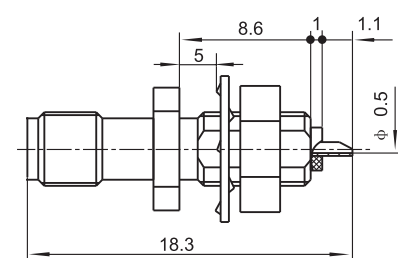
电缆剥线尺寸
Cable stripping dimensions



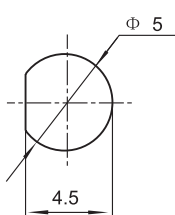
Type	d	D	Cable type
SSMA-JW2	φ 1	φ 2	SYV-50-1、SFF-50-1
SSMA-JW3	φ 1.6	φ 2.6	SYV-50-2-1、SFF-50-1.5-1

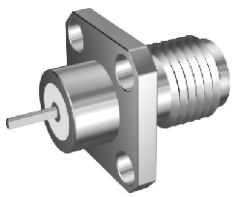


SSMA-KYD

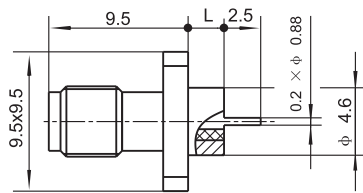


安装开孔尺寸
Mounting hole

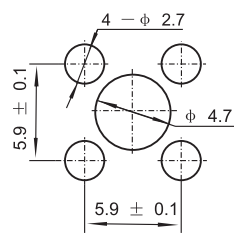




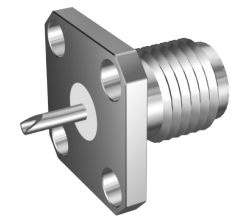
SSMA-KFD1 等



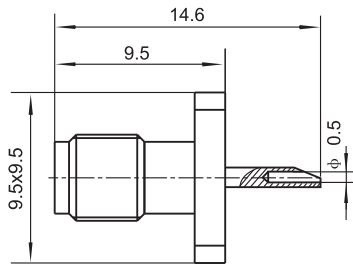
安装开孔尺寸
Mounting hole



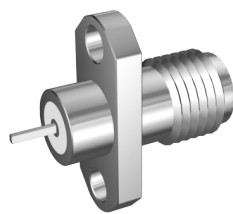
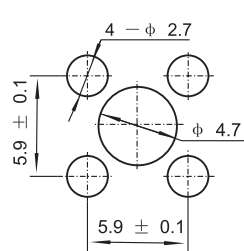
Type	L
SSMA-KFD1	2.4
SSMA-KFD2	3.2
SSMA-KFD3	4.8



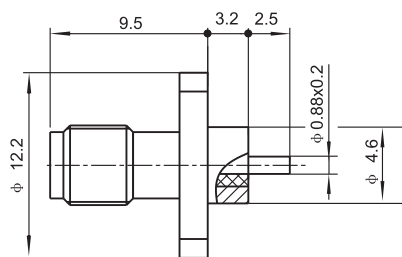
SSMA-KFD



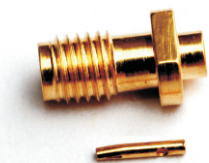
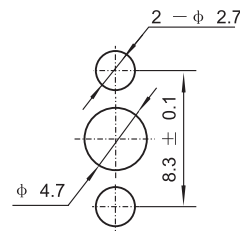
安装开孔尺寸
Mounting hole



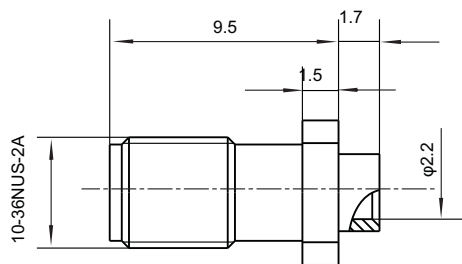
SSMA-KFD4



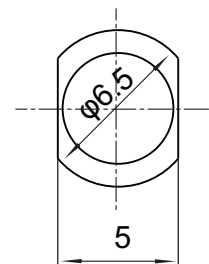
安装开孔尺寸
Mounting hole



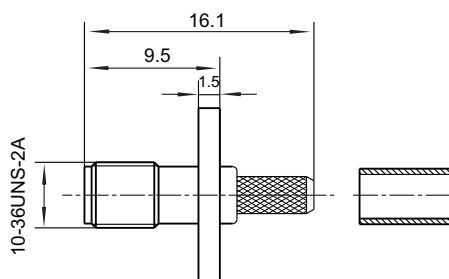
SSMA-KB2



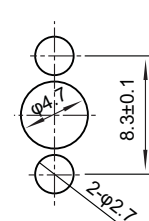
配接电缆: SFFT-50-2-1 RG405



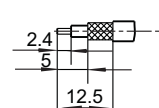
SSMA-KF3



安装开孔尺寸
Mounting hole

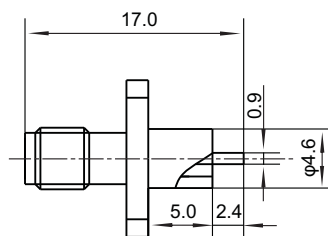


削线尺寸

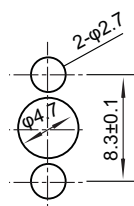




SSMA-KFD5等



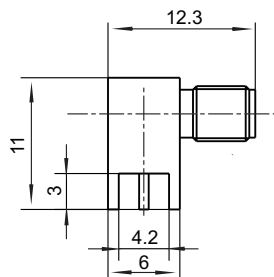
安装开孔尺寸
Mounting hole



Type	L1	L2	L3
SSMA-KFD5	17	5	2.4
SSMA-KFD6	15.5	4	2
SSMA-KFD13	15.2	3.2	2.5



SSMA-KWHD



安装开孔尺寸
Mounting hole

