

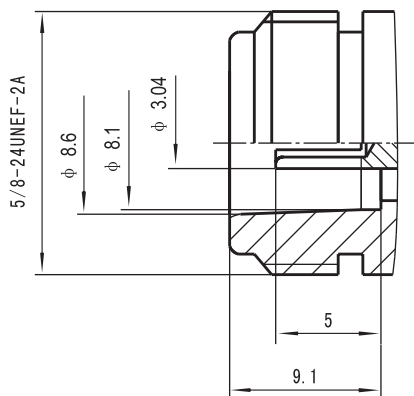
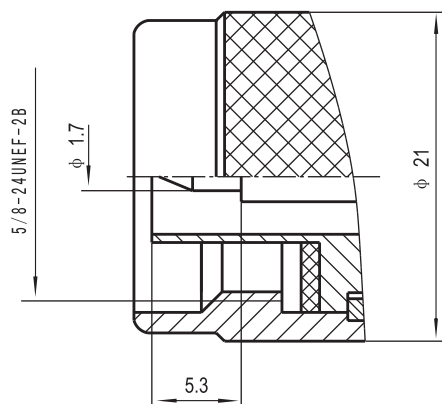


系列射频同轴连接器
SERIES N RF COAXIAL CONNECTORS

主要技术特性		KEY PERFORMANCE	
温度范围 Temperature range	-65 ~ +125℃	绝缘电阻 Insulation resistance	≥5000MΩ
特性阻抗 Characteristic Impedance	50Ω	介质耐压 Dielectric Withstanding voltage	1500V
频率范围 Frequency range	0 ~ 11GHz	插入力 Insertion force	≤8.9N
工作电压 Voltage rating	1000V	拔出力 Withdrawal force	≥0.56N
接触电阻 Contact resistance	中心导体 Center conductor	≤0.0015Ω	电压驻波比 VSWR
	外导体 Outer conductor	≤0.0002Ω	寿命 Durability
			500 Cycles

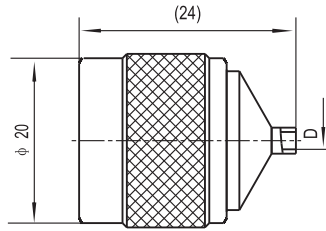
头部配合尺寸

INTERFACE MATING DIMENSIONS

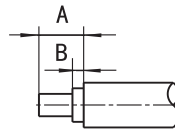




N-JB2等



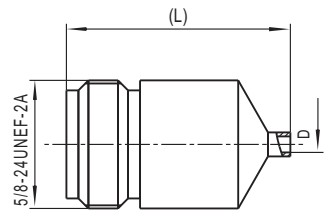
电缆剥线尺寸
Cable stripping dimensions



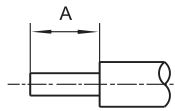
TYPE	D	A	B	Cable TYPE
N-JB2	Φ2.2	4	1	SFT-50-2-1
N-JB3	Φ3.6	2.5	0	SFT-50-3-1
N-JB5	Φ6.1	5	0	SFT-50-5-2
N-JB401	Φ6.5	4.5	0	RG401



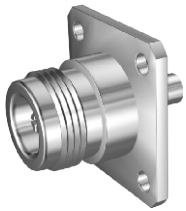
N-KB2等



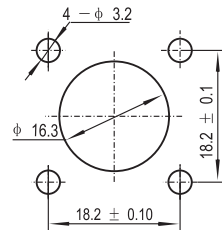
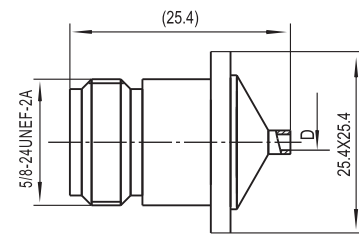
电缆剥线尺寸
Cable stripping dimensions



TYPE	D	A	L	Cable TYPE
N-KB2	Φ2.2	5	25.4	SFT-50-2-1
N-KB3	Φ3.6	4	27	SFT-50-3-1



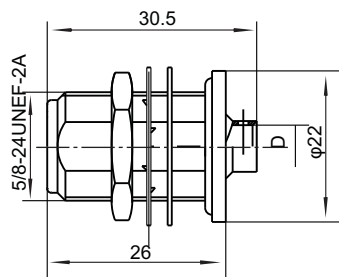
N-KFB2等



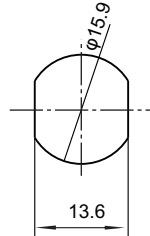
TYPE	D	Cable TYPE
N-KFB2	Φ2.2	SFT-50-2-1
N-KFB3	Φ3.6	SFT-50-3-1



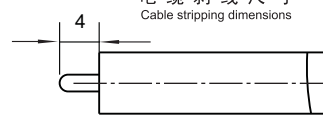
N(S)-KYB5等



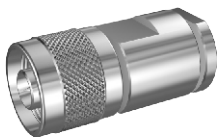
安装开孔尺寸
Mounting hole



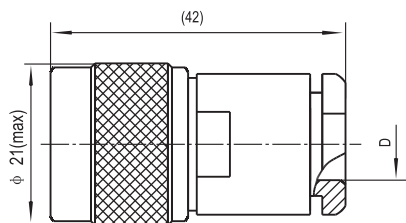
电缆剥线尺寸
Cable stripping dimensions



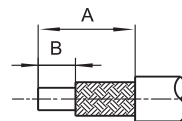
TYPE	D	Cable TYPE
N(S)-KYB3	φ3.6	SFT-50-2-1 RG-402/U
N(S)-KYB5	φ6.4	SFT-50-3-2 RG-401/U




N-J4等



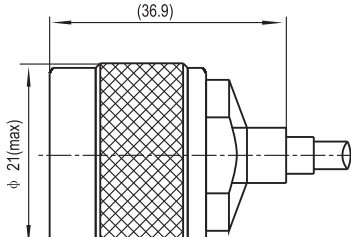
电缆剥线尺寸
Cable stripping dimensions



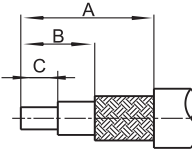
TYPE	D	A	B	Cable TYPE
N-J4	Φ4.2	10	5	SYV-50-2-2 SFF-50-2-2
N-J5	Φ5.3	10	5	SYV-50-3
N-J6	Φ10.0	10	5	SYV-50-5
N-J7	Φ10.5	10	5	SYV-50-7-1
N-J8	Φ11.5	10	5	SYV-50-7-2
N-J12	Φ5.2	10	5	SYV-75-3
N-J27	Φ7.4	10	5	SYV-50-5-1
N-J28	Φ8.1	10	5	SYV-50-5-2




N-J3Y等



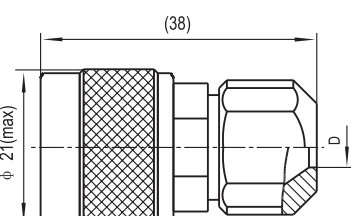
电缆剥线尺寸
Cable stripping dimensions



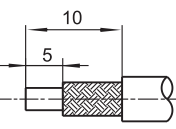
TYPE	A	B	C	Cable TYPE
N-J3Y	20	10	5	SFT-50-3-1
N-J4Y	20	10	5	SYV-50-2-2 SFF-50-2-2
N-J5Y	20	10	5	SYV-50-3
N-J7Y	20	10	5	SYV-50-7-1
N-J8Y	20	10	5	SYV-50-7-2
N-J27Y	20	10	5	SYV-50-5-1
N-J28Y	20	10	5	SYV-50-5-2
N-JaY	20	10	5	SUV-50-3-5




N-J3A等



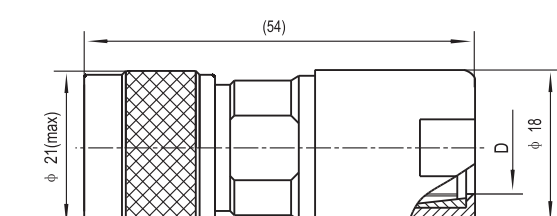
电缆剥线尺寸
Cable stripping dimensions



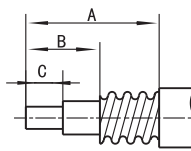
TYPE	D	Cable TYPE	TYPE	D	Cable TYPE
N-J3A	Φ3	SYV-50-2-1	N-J9A	Φ12.8	SYV-50-3
		SFF-50-1.5-1	N-J12A	Φ5.2	SYV-75-3
N-J4A	Φ4.2	SYV-50-2-2	N-J13A	Φ7.3	SYV-75-5-1/2
		SFF-50-2-2	N-J15A	Φ10.5	SYV-75-7
N-J5A	Φ5.3	SYV-50-3	N-J16A	Φ12.8	SYV-75-9
N-J6A	Φ10.0	SYV-50-5	N-J21A	Φ6.5	SDY-4
N-J6A-1	Φ6.4	SFF-50-5	N-J27A	Φ7.3	SYV-50-5-1
N-J7A	Φ10.5	SYV-50-7-1	N-J28A	Φ8.1	SYV-50-5-2
N-J8A	Φ11.5	SYV-50-7-2	N-J601A	Φ5.7	SFF-50-3-2




N-J123等



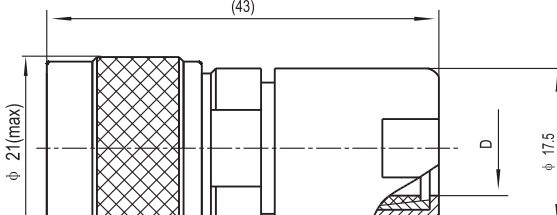
电缆剥线尺寸
Cable stripping dimensions



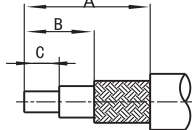
TYPE	D	A	B	C	Cable TYPE
N-J123	Φ11.2	13	10	8	SDV-50-7-3
N-J124	Φ13.1	13	10	8	SDV-50-9-3



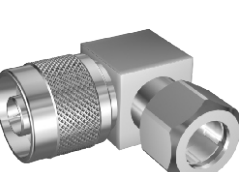
N-J303A等



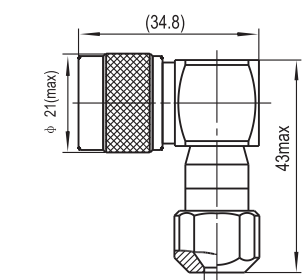
电缆剥线尺寸
Cable stripping dimensions



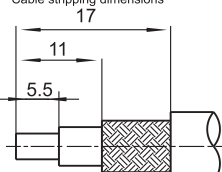
TYPE	D	A	B	C	Cable TYPE
N-J301	Φ5.5	14	11	8	SUJ-50-3-5
N-J302	Φ7.7	14	11	8	SUJ-50-5-5
N-J303A	Φ11.2	14	11	8	SUJ-50-7-5



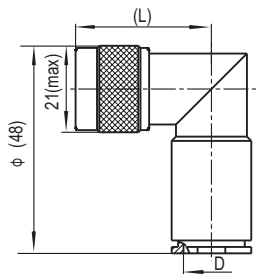
N-JW3A等



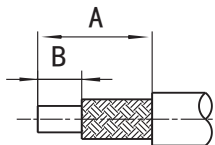
电缆剥线尺寸
Cable stripping dimensions



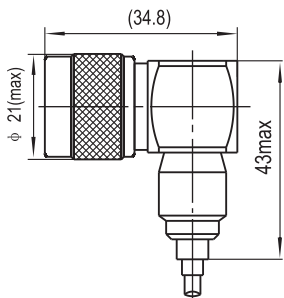
TYPE	D	Cable TYPE	TYPE	D	Cable TYPE
N-JW3A	Φ3	SYV-50-2-1	N-JW12A	Φ5.2	SYV-75-3
		SFF-50-1.5-1	N-JW13A	Φ7.3	SYV-75-5-1/2
N-JW4A	Φ4.2	SYV-50-2-2	N-JW15A	Φ10.5	SYV-75-7
		SFF-50-2-2	N-JW16A	Φ12.8	SYV-75-9
N-JW5A	Φ5.3	SYV-50-3	N-JW21A	Φ6.5	SDY-4
N-JW6A	Φ10.0	SYV-50-5	N-JW27A	Φ7.3	SYV-50-5-1
N-JW7A	Φ10.5	SYV-50-7-1	N-JW28A	Φ8.1	SYV-50-5-2
N-JW8A	Φ11.5	SYV-50-7-2			



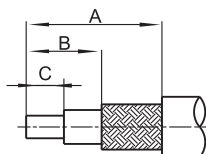
电缆剥线尺寸
Cable stripping dimensions



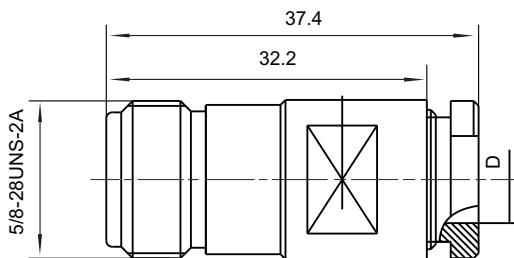
TYPE	D	A	B	L	Cable TYPE
N-JW5	φ5.3	15	5	31.4	SYV-50-3
N-JW7	φ10.5	15	5	34.8	SYV-50-7-1



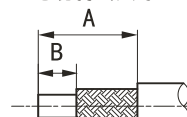
电缆剥线尺寸
Cable stripping dimensions



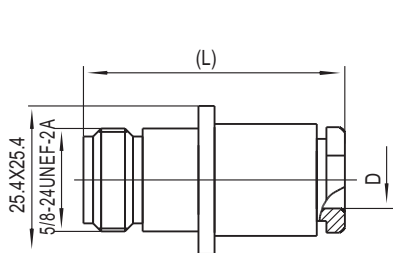
TYPE	A	B	C	Cable TYPE
N-JW4Y	20	10	5	SYV-50-2-2 SFF-50-2-2
N-JW5Y	20	10	5	SYV-50-3
N-JW27Y	20	10	5	SYV-50-5-1
N-JW28Y	20	10	5	SYV-50-5-2



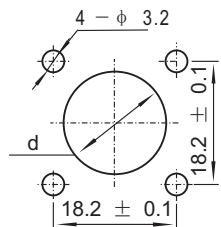
电缆剥线尺寸



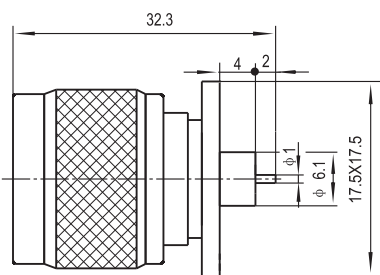
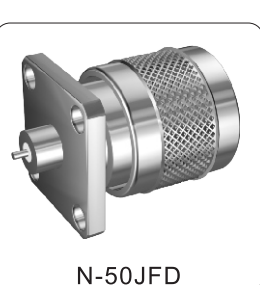
TYPE	D	A	B	Cable TYPE
N-K4	φ4.2	10	5	SYV-50-2-2 SFF-50-2-2
N-K5	φ5.2	10	5	SYV-50-3
N-K7	φ10.5	10	5	SYV-50-7-1
N-K28	φ8.1	10	5	SYV-50-5-2
N-K8	φ11.5	10	5	SYV-50-7-2



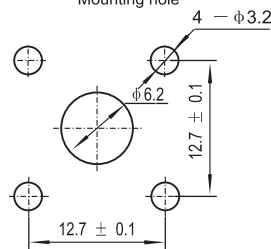
安装开孔尺寸
Mounting hole

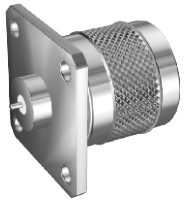


TYPE	D	d	L	Cable TYPE
N-KF4	φ4.2	φ17.5	43.8	SYV-50-2-2 SFF-50-2-2
N-KF5	φ5.3	φ16	43.3	SYV-50-3
N-KF6	φ10.0	φ19.5	43.8	SYV-50-5
N-KF7	φ10.5	φ16	43.3	SYV-50-7-1
N-KF8	φ11.5	φ19.5	43.8	SYV-50-7-2
N-KF12	φ5.2	φ17.5	43.8	SYV-75-3
N-KF27	φ7.3	φ19.5	43.3	SYV-50-5-1
N-KF28	φ8.1	φ19.5	43.3	SYV-50-5-2

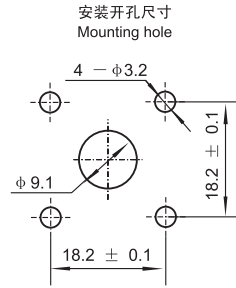
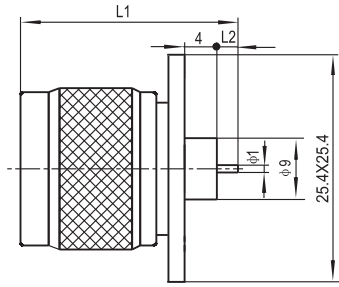


安装开孔尺寸
Mounting hole

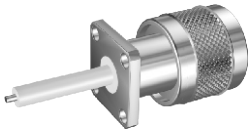




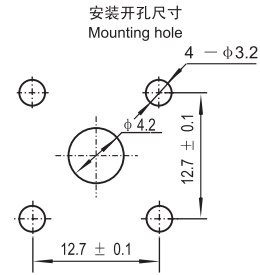
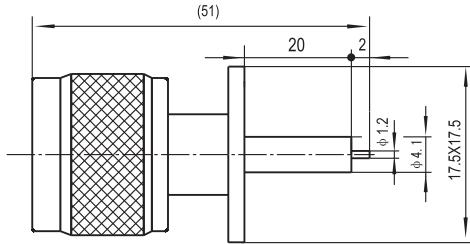
N-50JFD1等



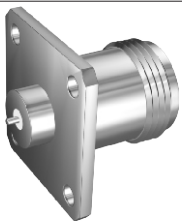
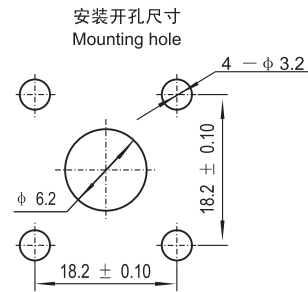
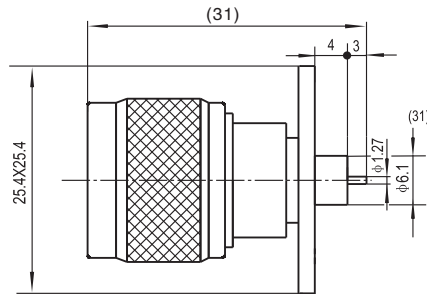
Type	L1	L2
N-50JFD1	26.2	1.8
N-50JFD2	29.9	5.5



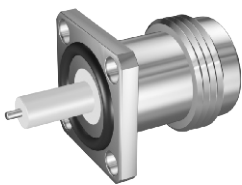
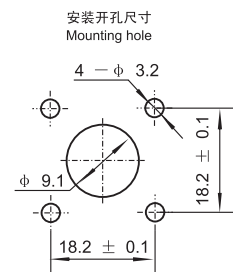
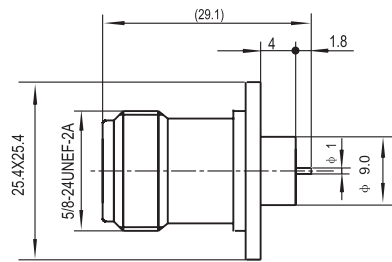
N-50JFD3



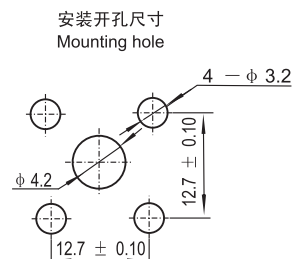
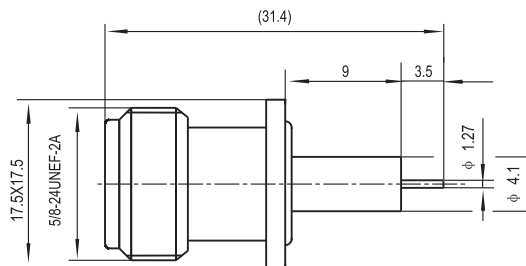
N-50JFD5

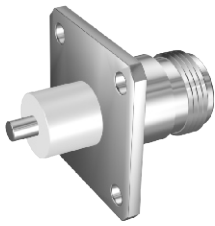


N-50KFD

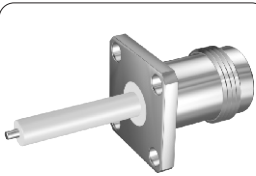
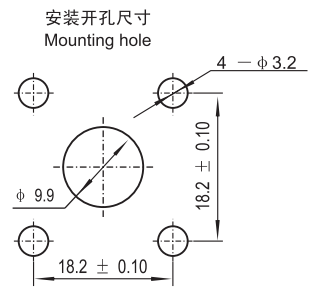
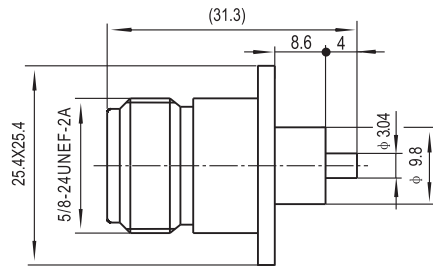


N-50KFD1

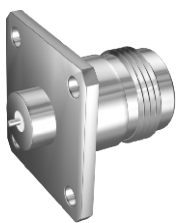
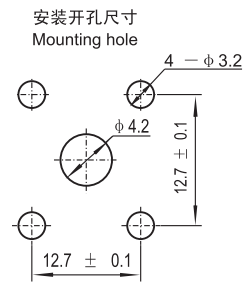
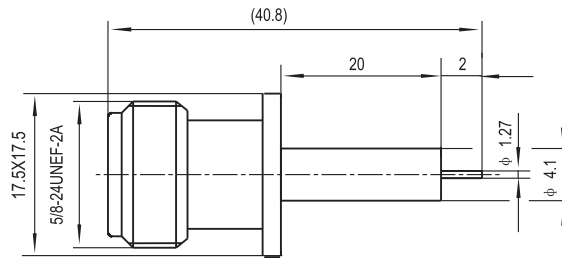




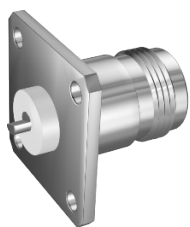
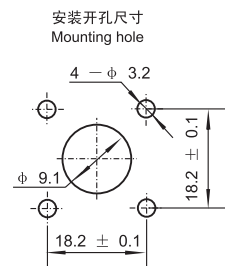
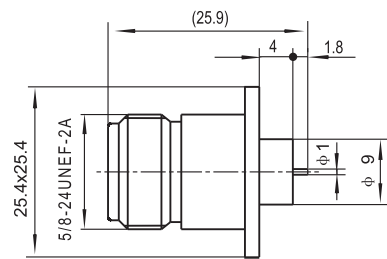
N-50KFD2



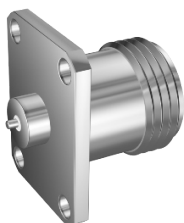
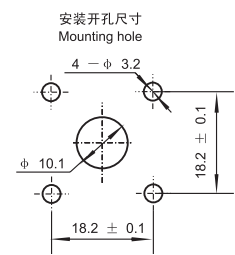
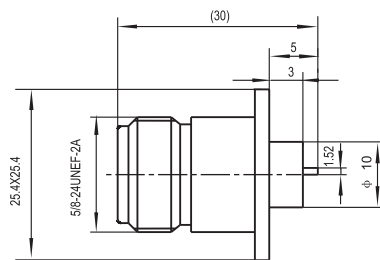
N-50KFD3



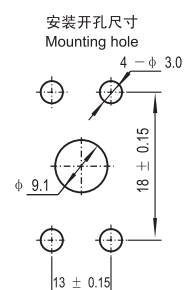
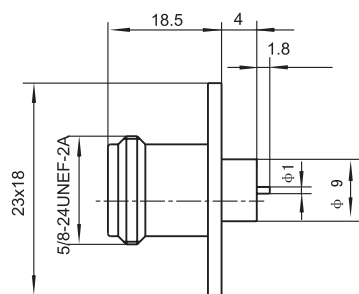
N-50KFD5

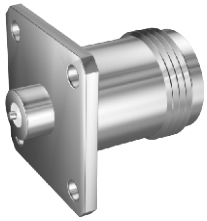


N-50KFD9

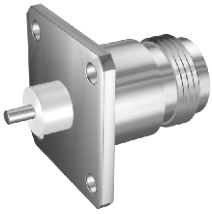
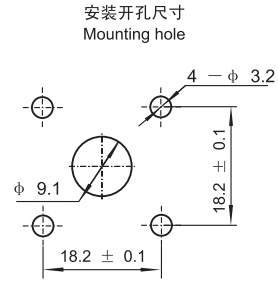
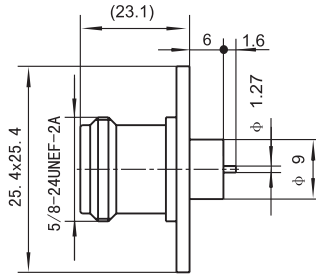


N-50KFD19

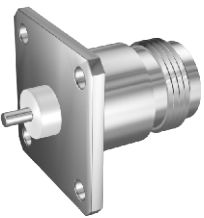
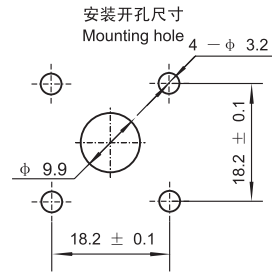
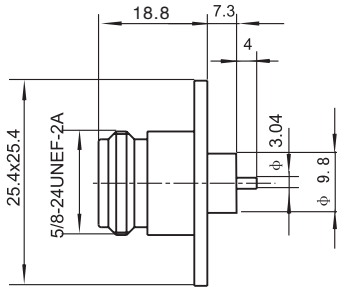




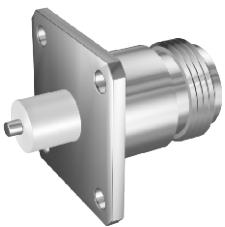
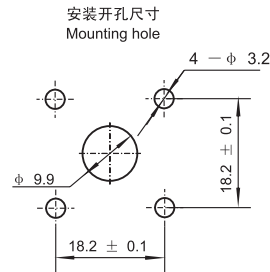
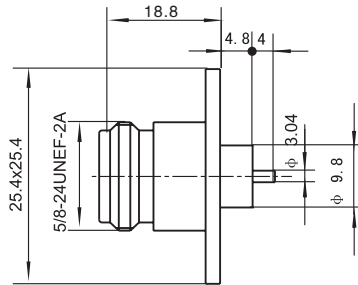
N-50KFD20



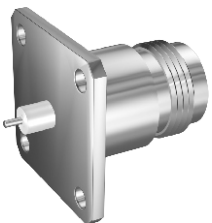
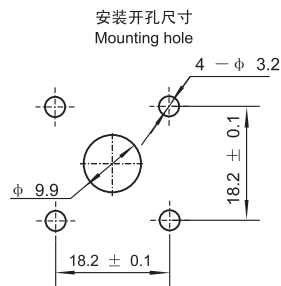
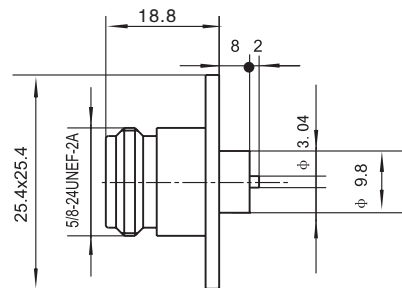
N-50KFD21



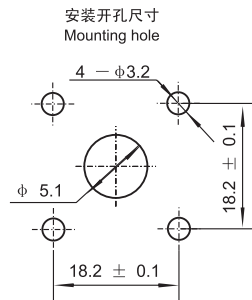
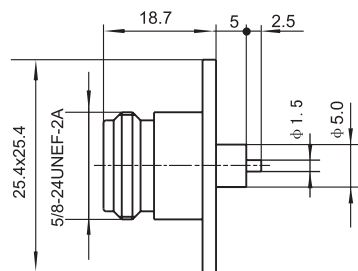
N-50KFD22

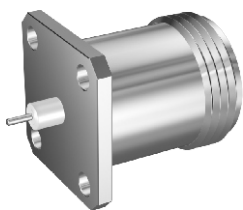


N-50KFD26

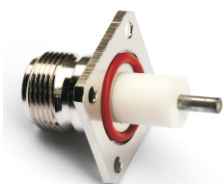
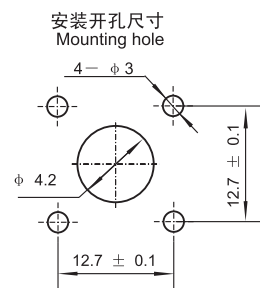
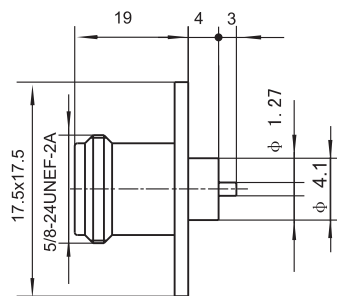


N-50KFD28

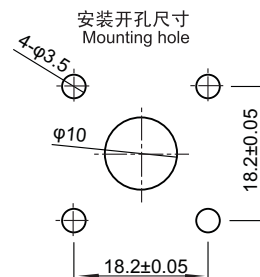
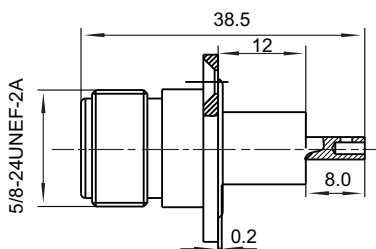




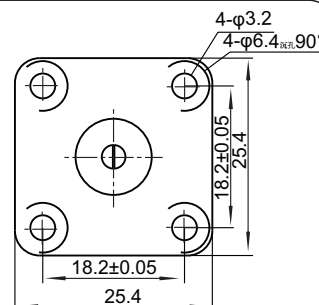
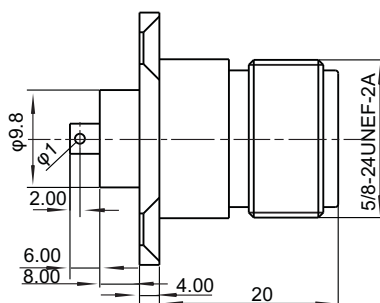
N-50KFD29



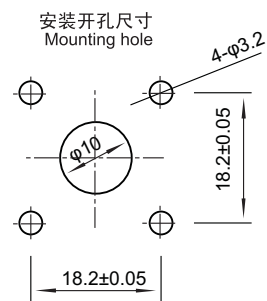
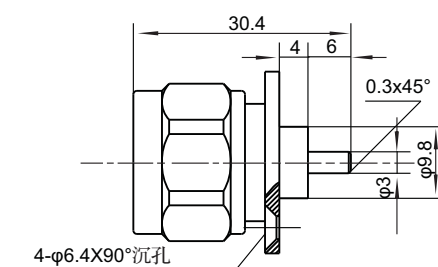
N-50KFD-M-J3



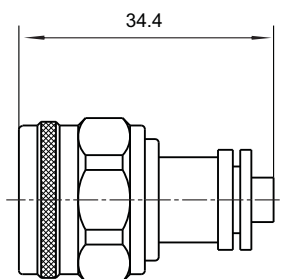
N-50KF-MS-2




N-AFA213-2



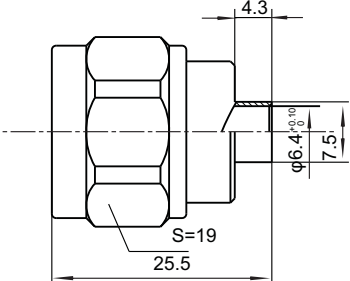
N-J142G



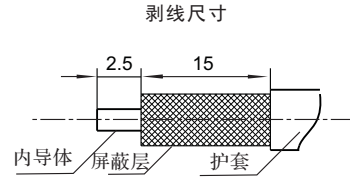
配接电缆: RG142




N-JB5A



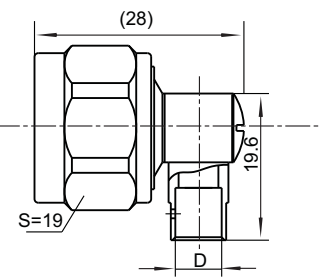
剥线尺寸



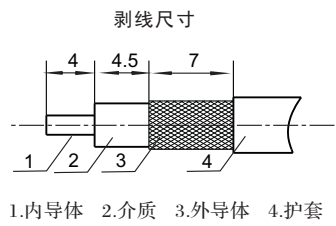
配接电缆: 670-250




N-JWB5A等



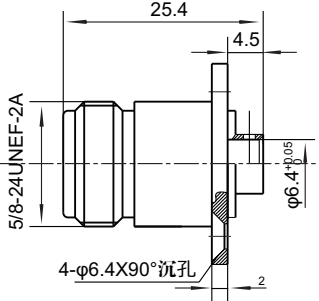
剥线尺寸



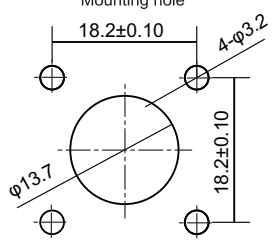
type	D	Cable type
N-JWB3A	$\phi 3.6$	SFT-50-3-1 RG-402/U
N-JWB5A	$\phi 6.4$	SFT-50-3-2 RG-401/U



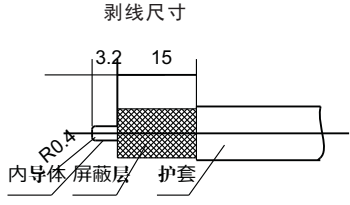
N-KFB5




安装开孔尺寸
Mounting hole



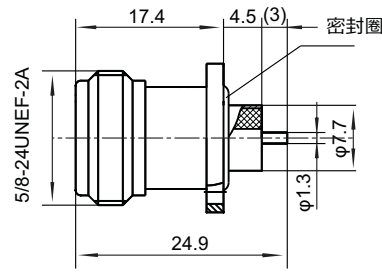
剥线尺寸



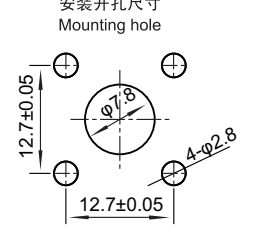
配用电缆: RG401




N-KFDC1(S)

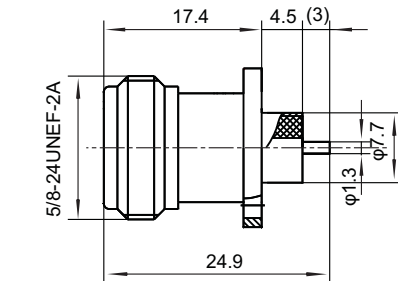


安装开孔尺寸
Mounting hole

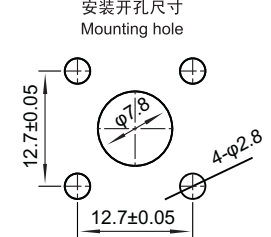


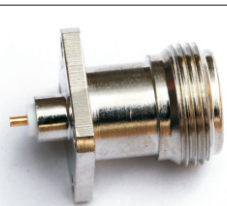


N-KFDC1

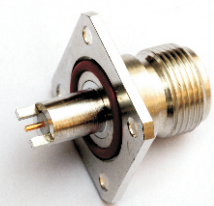
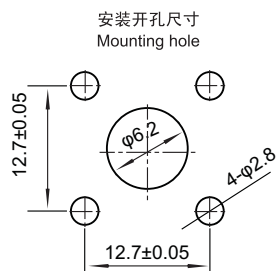
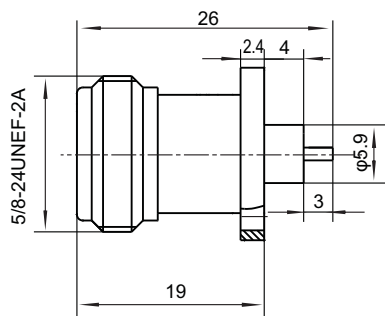


安装开孔尺寸
Mounting hole

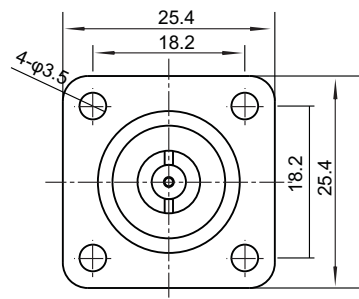
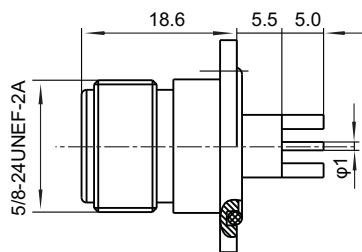




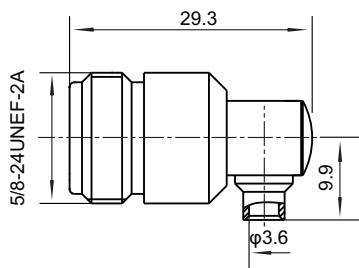
N-KFDC2



N-KFHD1



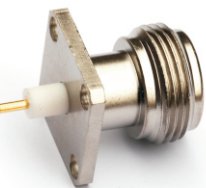
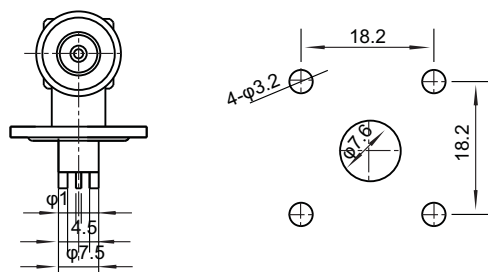
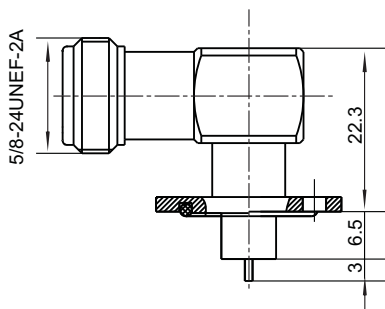
N-KWB3



配接电缆: RG402



N-KWFD1



N-RD

